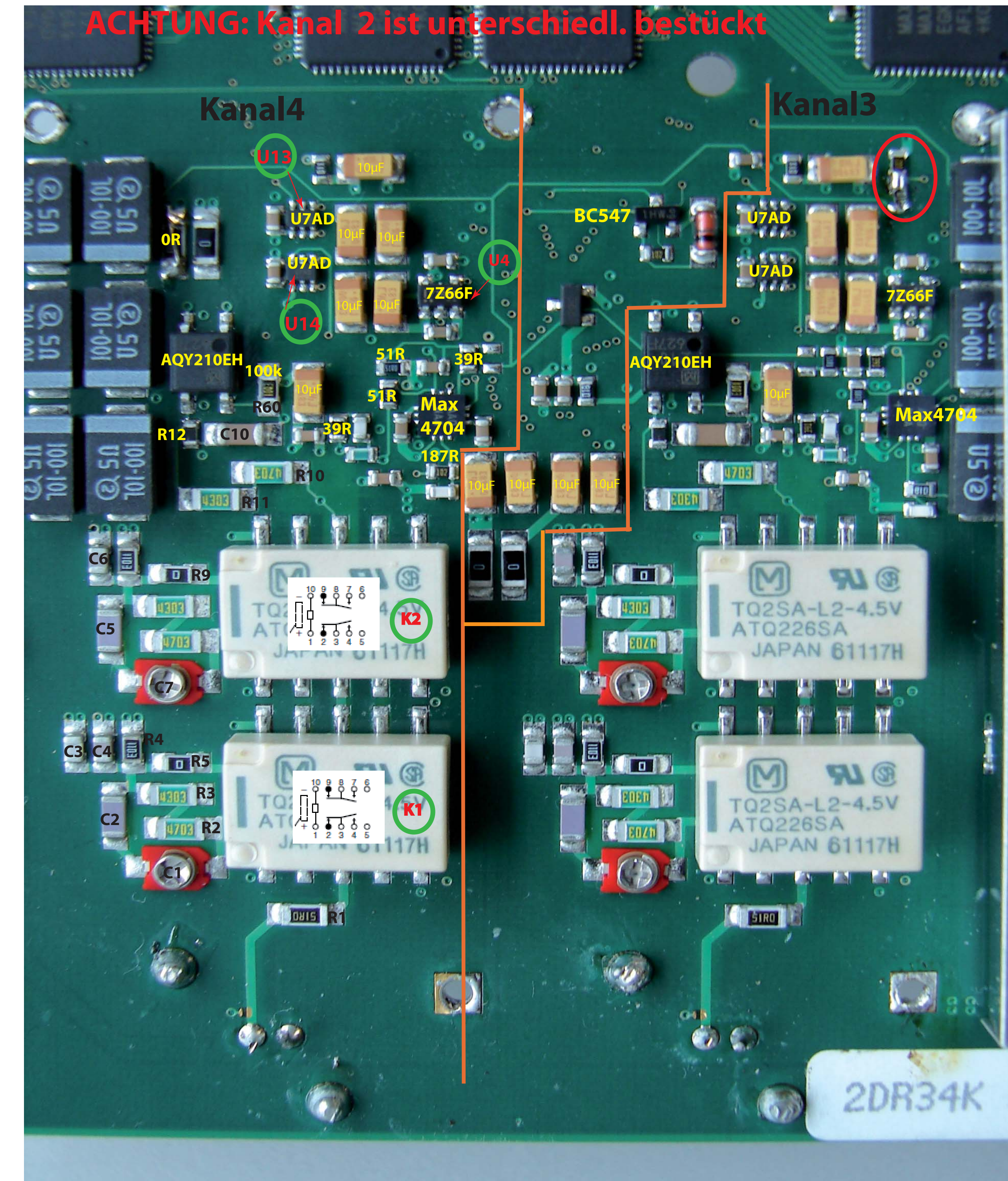
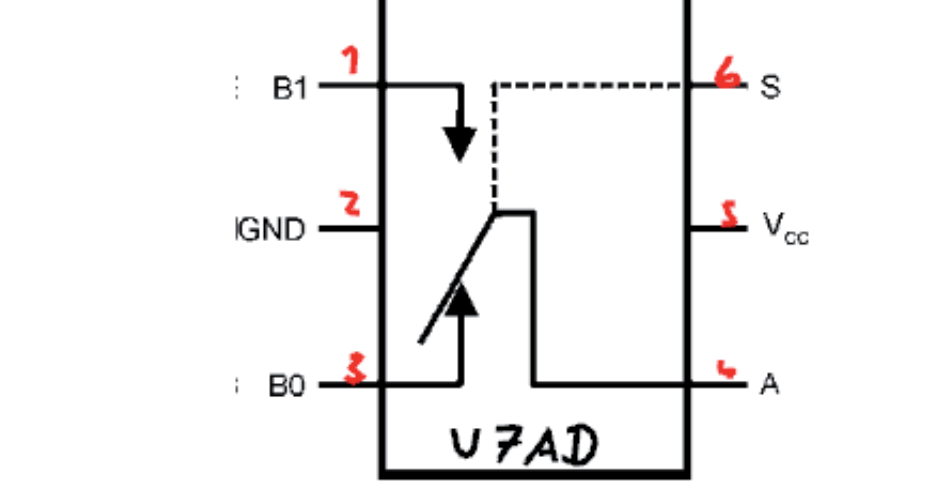
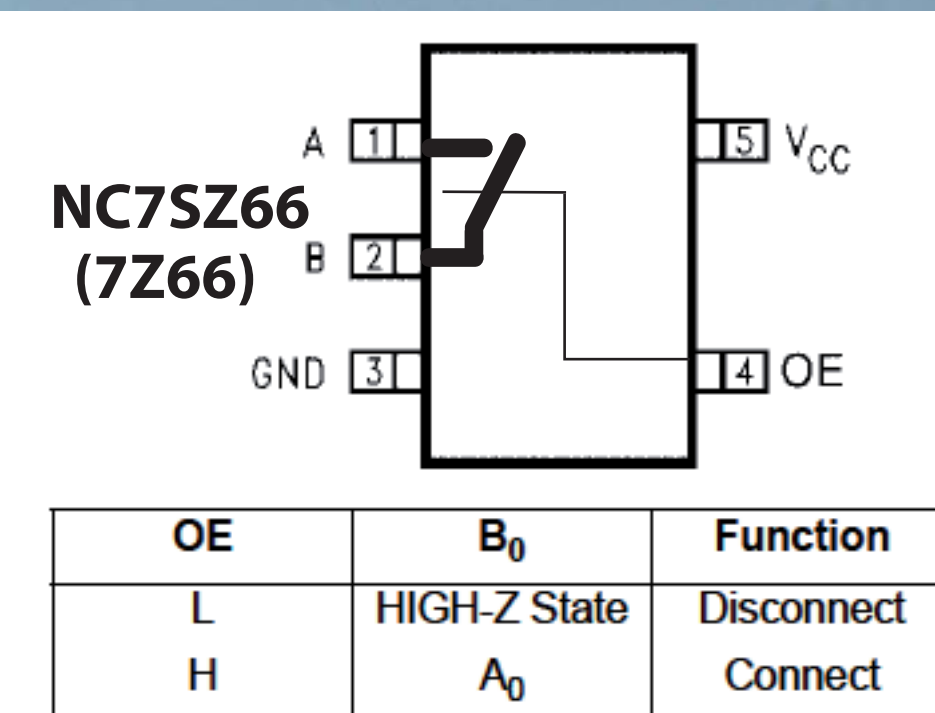
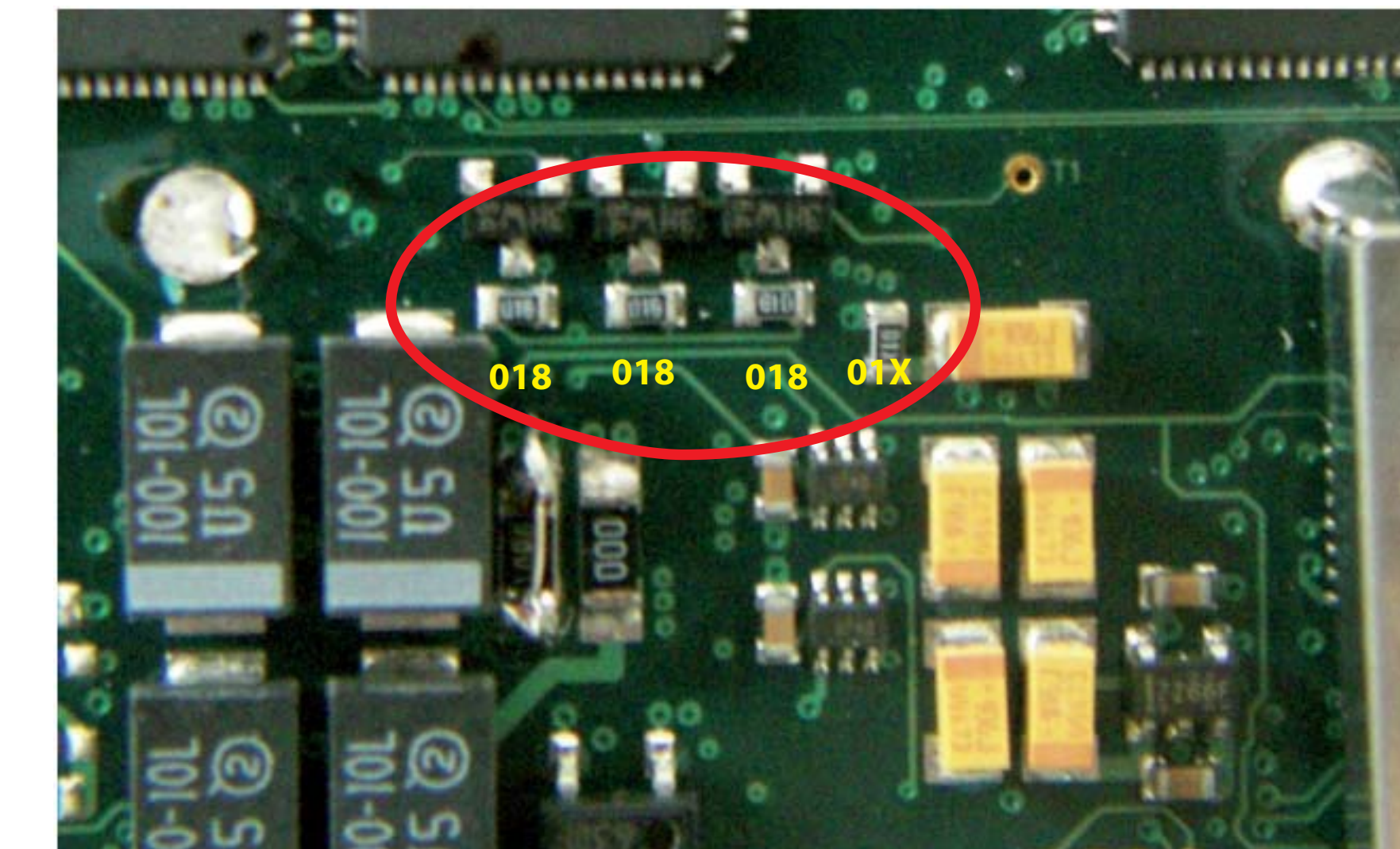


ACHTUNG: Kanal 2 ist unterschiedl. bestückt



Entsprechender Bereich bei Kanal 2:

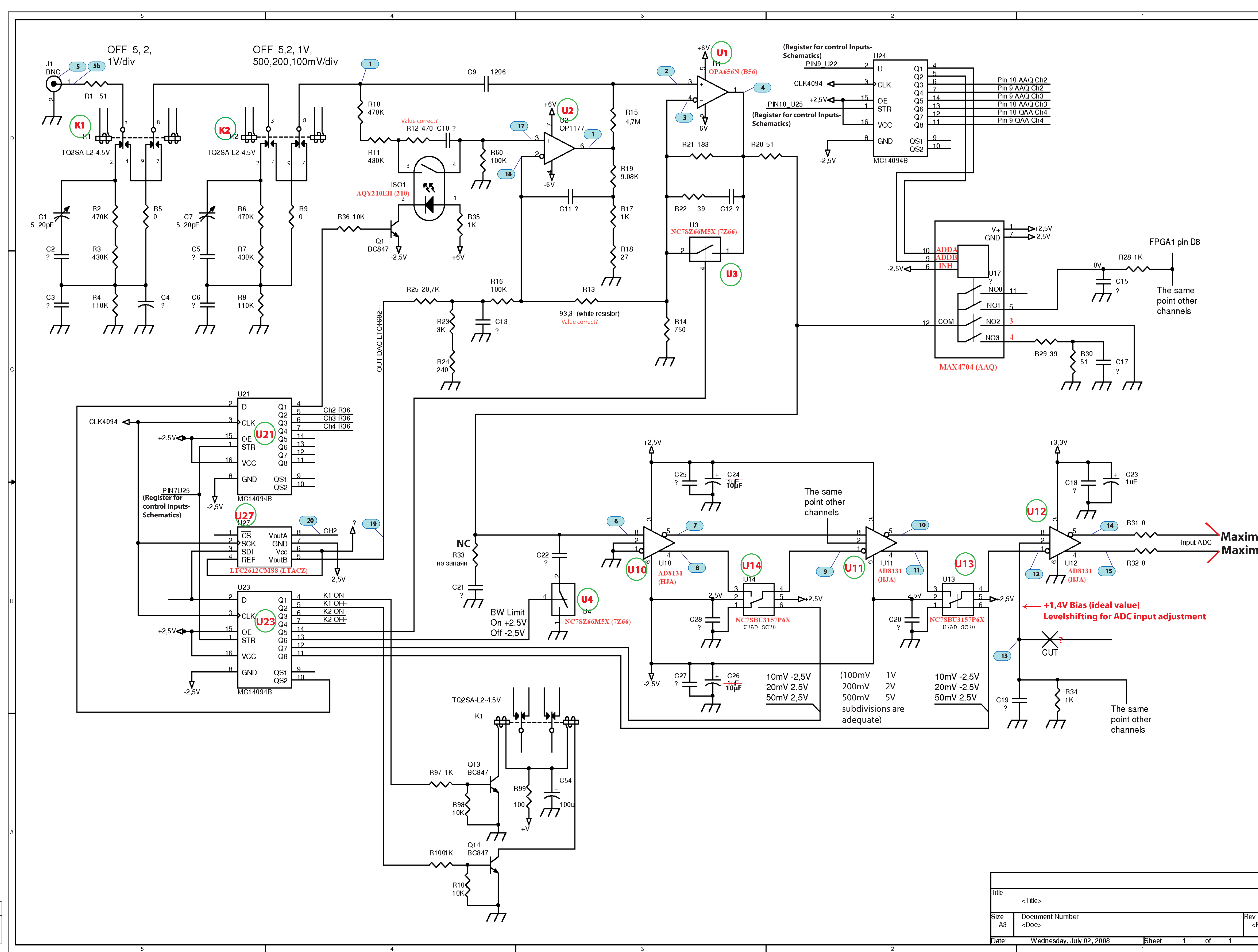
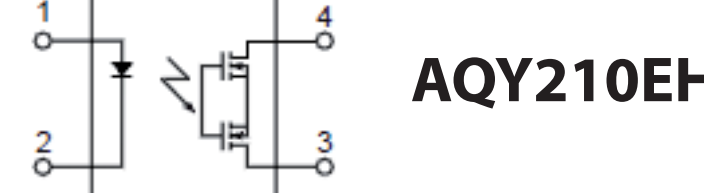
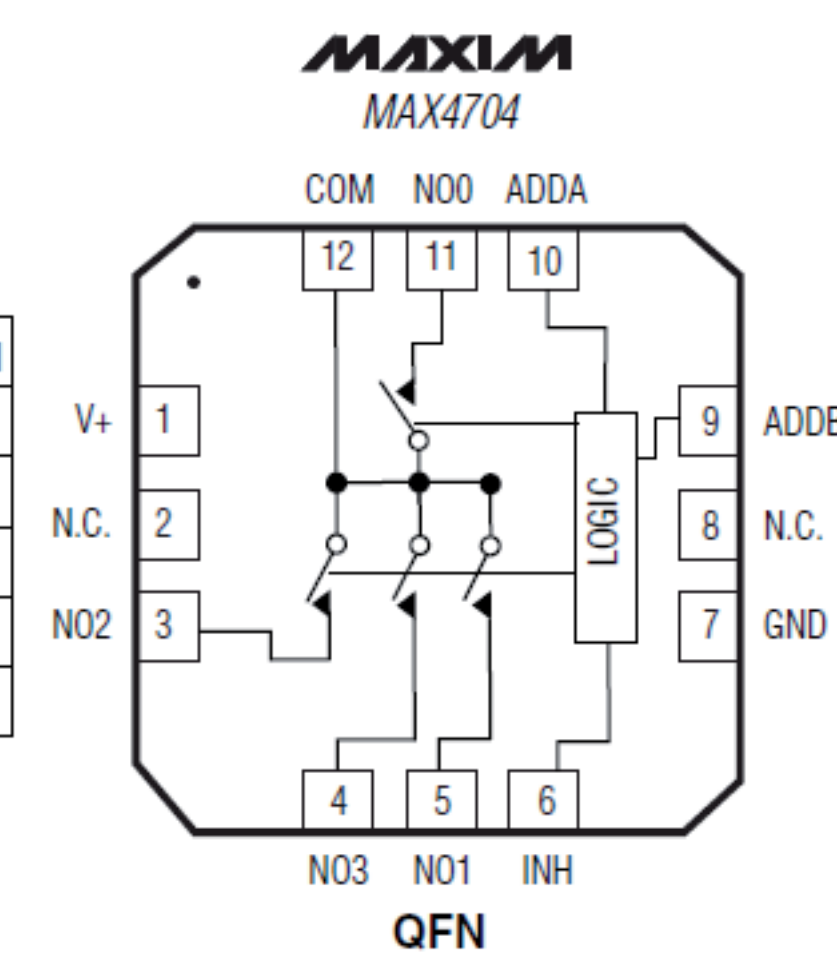


Input (S)	Function
L	B ₀ Connected to A
H	B ₁ Connected to A

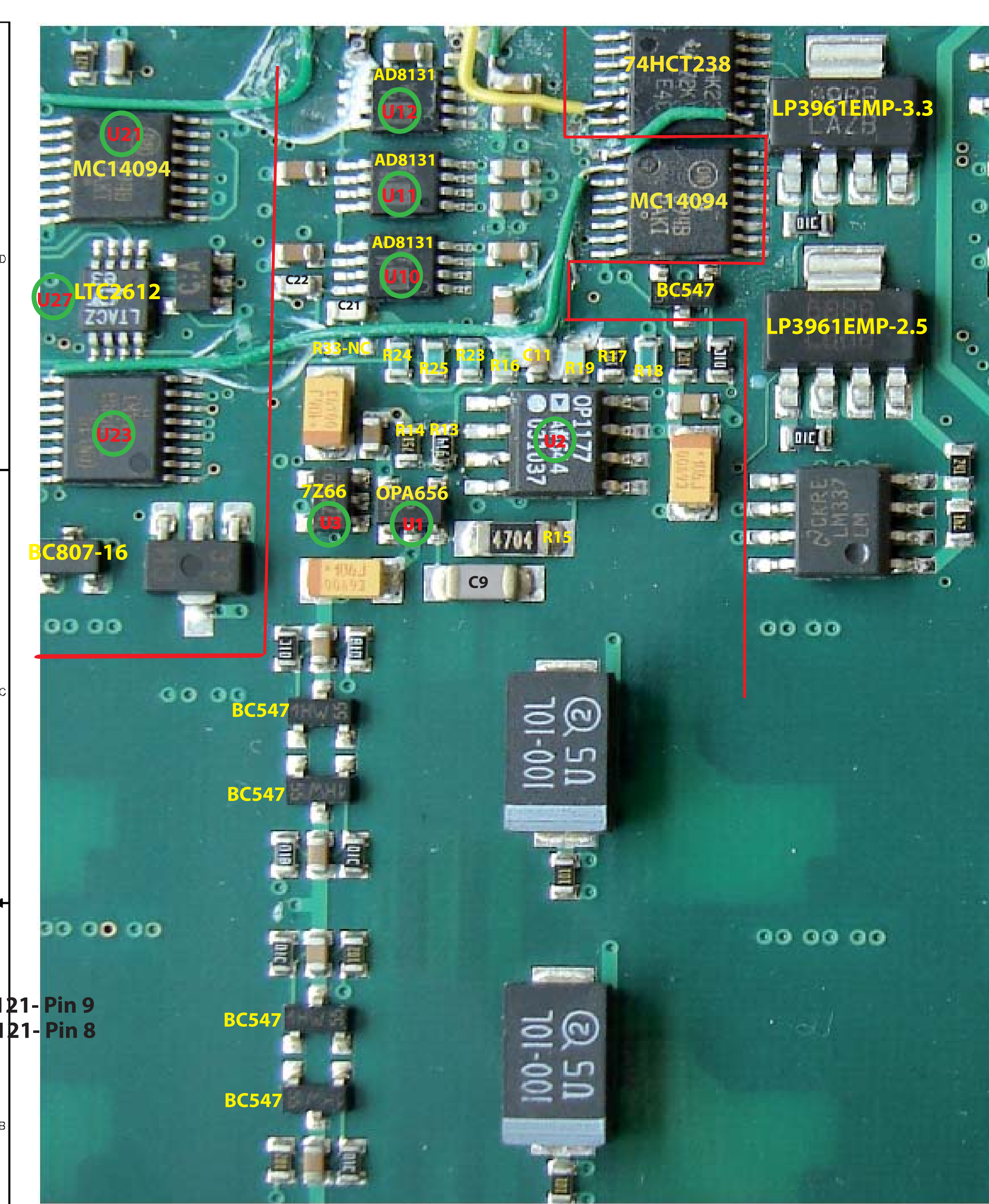
H = HIGH Logic Level
L = LOW Logic Level

INH	ADDB	ADDA	ON SWITCH
0	X	X	NONE
0	0	0	COM-N00
0	0	1	COM-N01
0	1	0	COM-N02
0	1	1	COM-N03

X = DONT CARE
N.C. = NO CONNECT



Measuring point nr.: 13
Version: 3.1
Date: 17. April 2009



PIN ASSIGNMENT

STROBE	1	16	V _{DD}
DATA	2	15	OUTPUT ENABLE
CLOCK	3	14	05
Q1	4	13	06
Q2	5	12	07
Q3	6	11	08
Q4	7	10	09
V _{SS}	8	9	Q ₅

