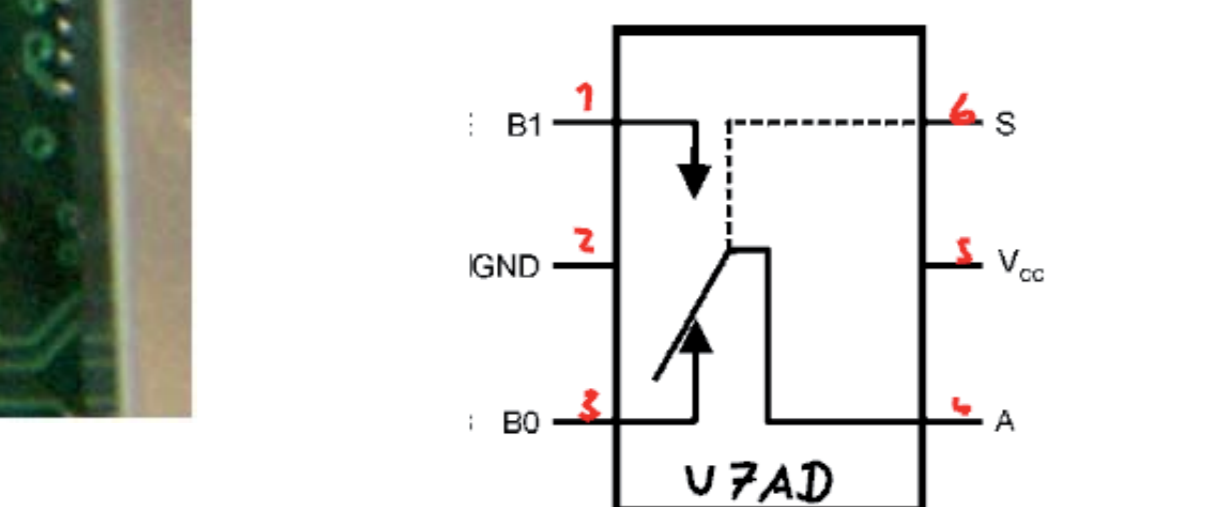
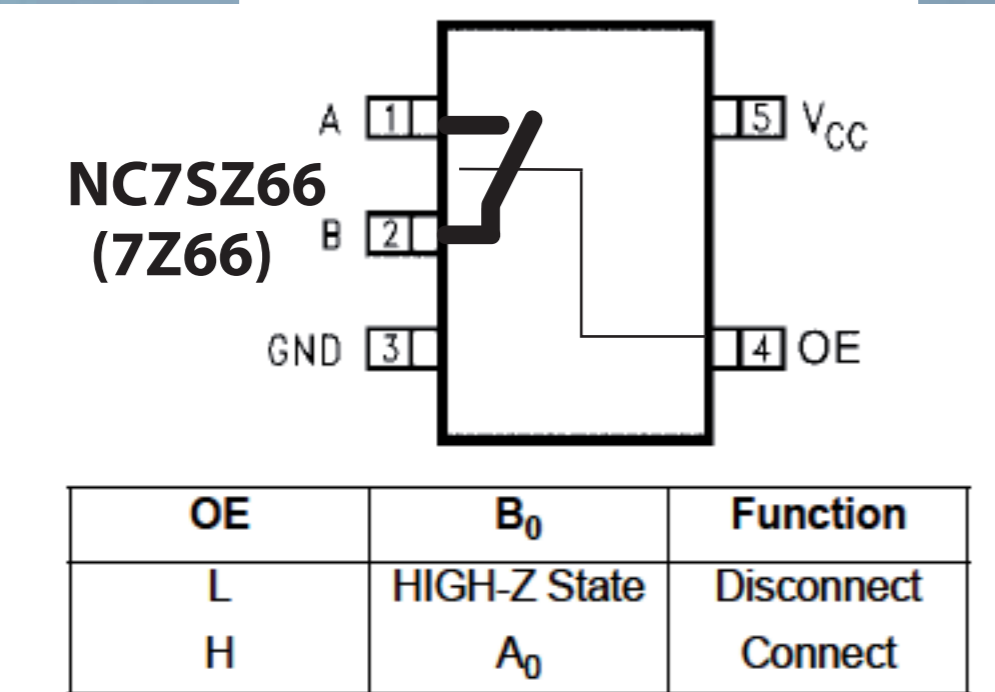
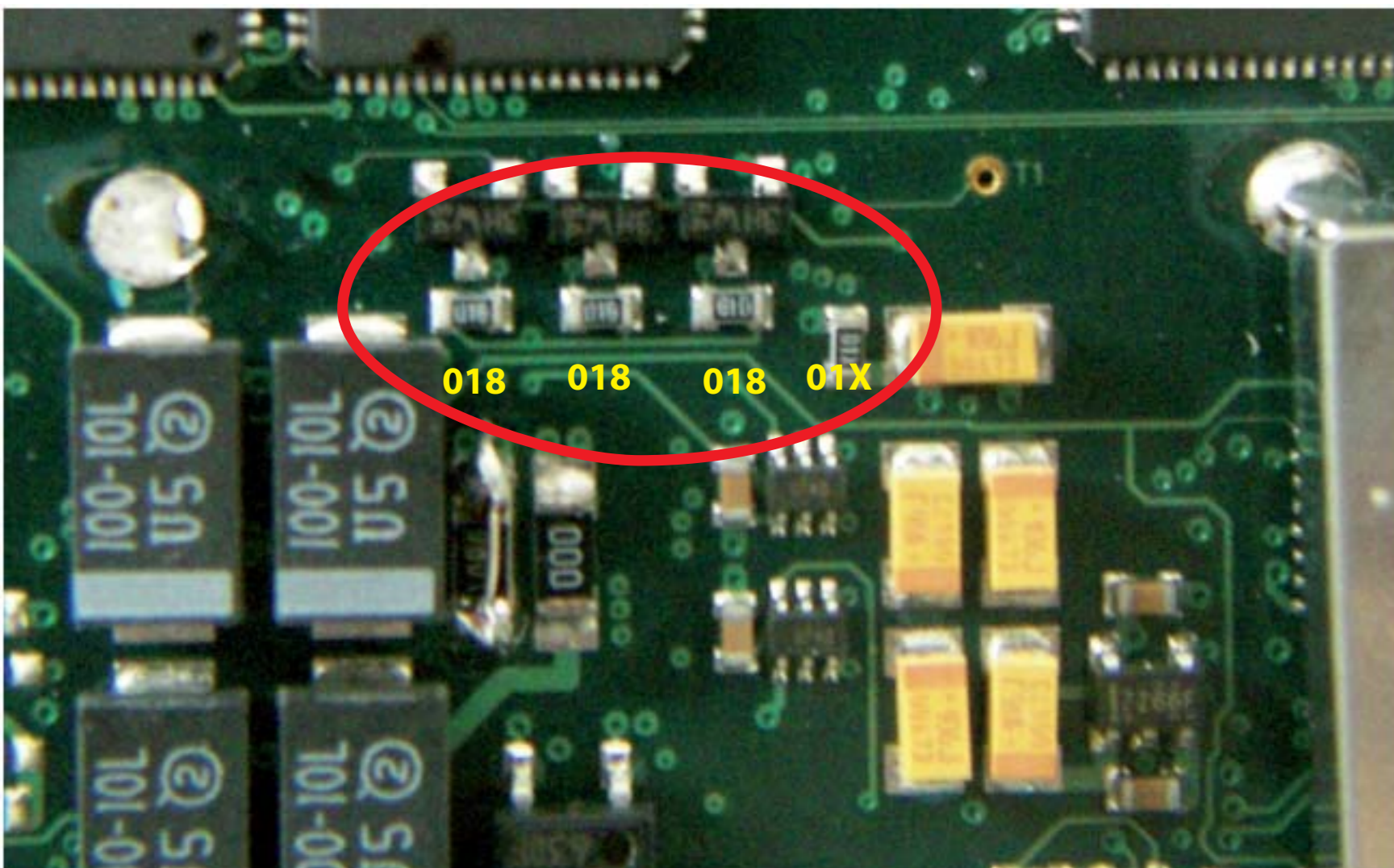
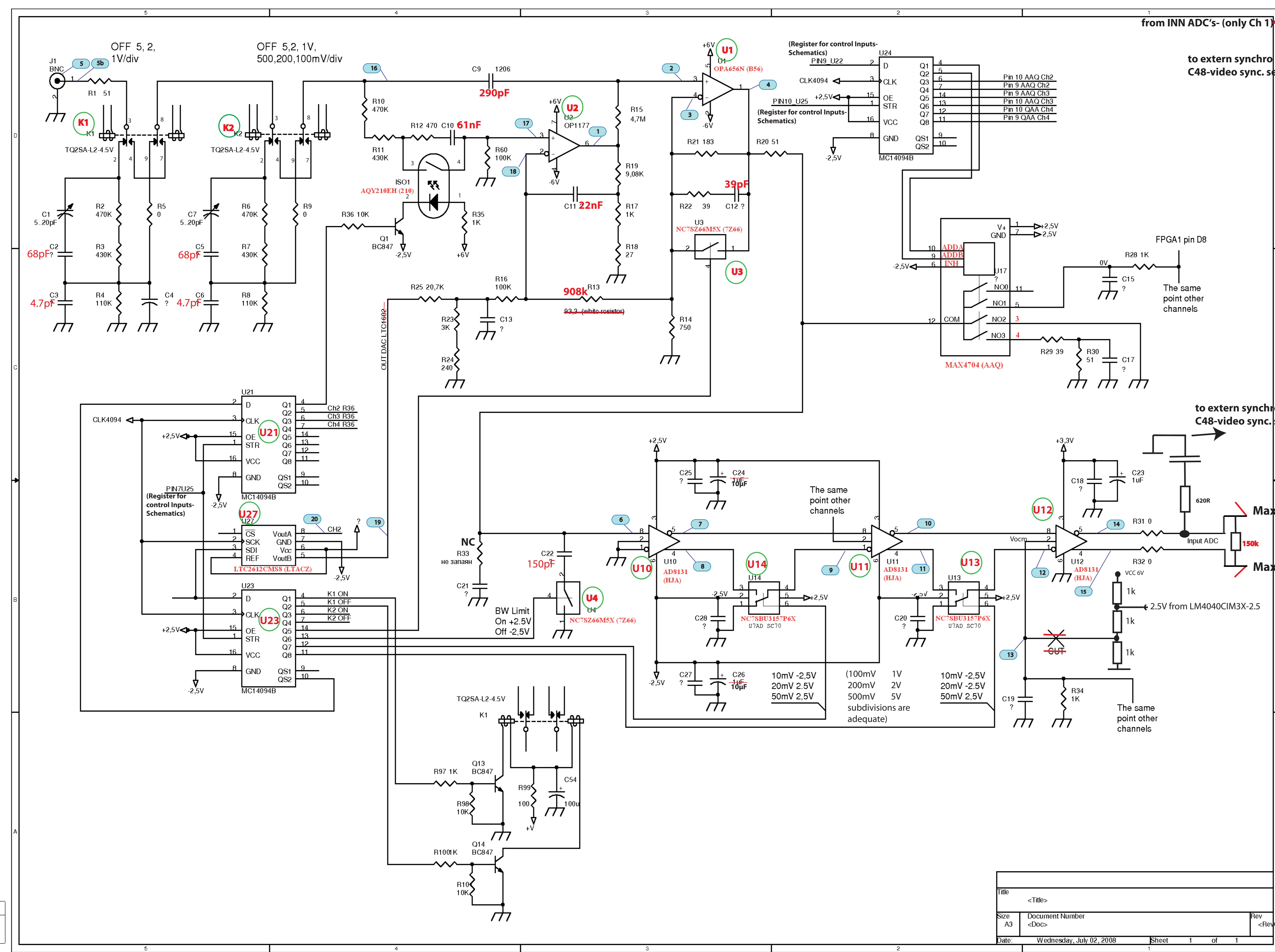
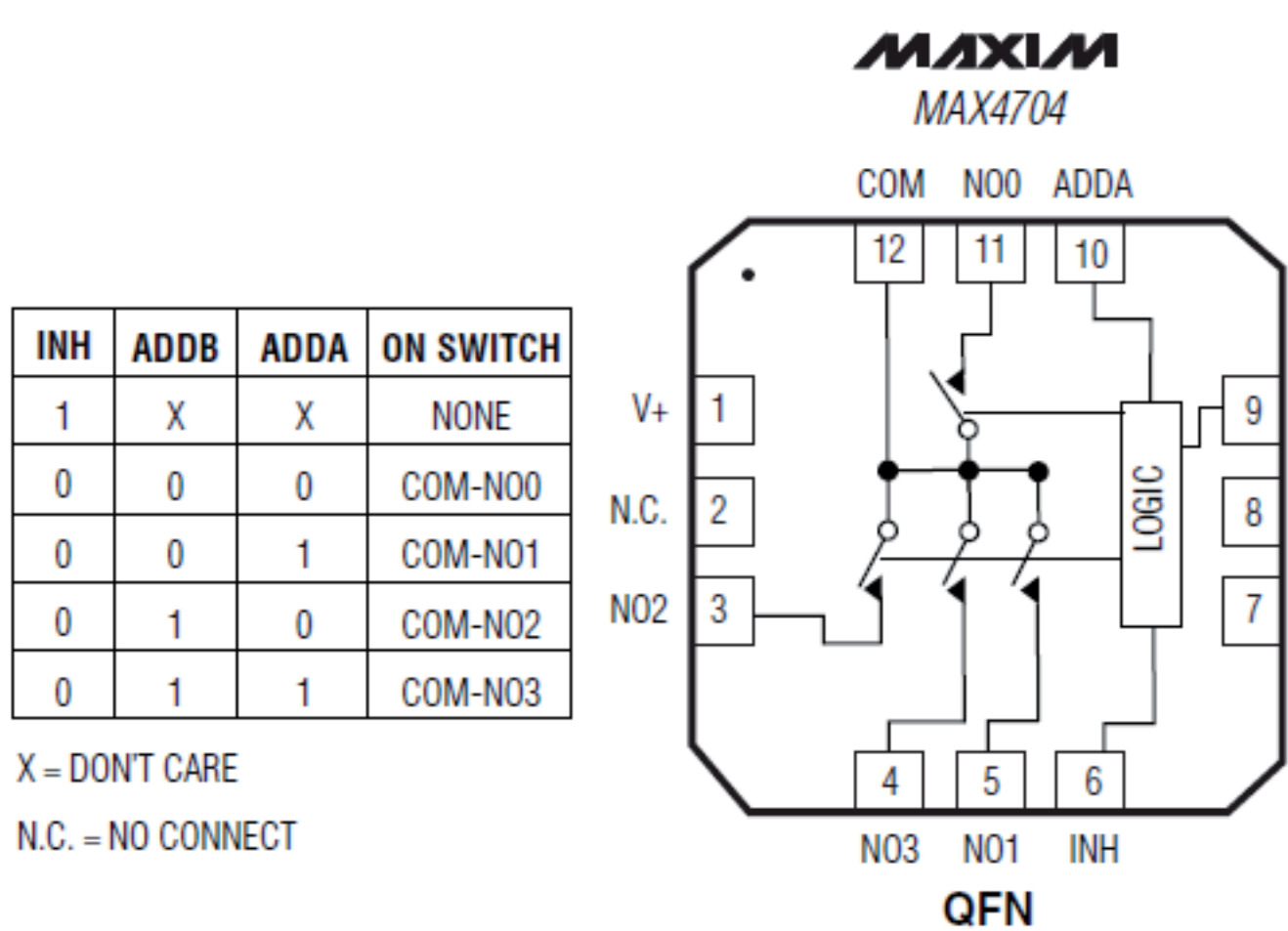
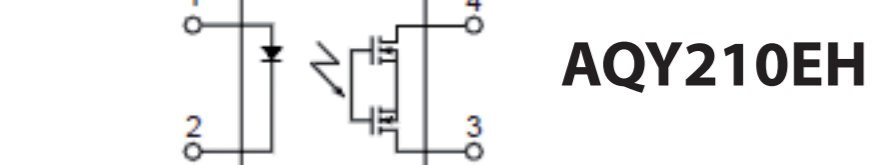


Entsprechender Bereich bei Kanal 2:



Input (S)	Function
L	B ₀ Connected to A
H	B ₁ Connected to A

H = HIGH Logic Level L = LOW Logic Level

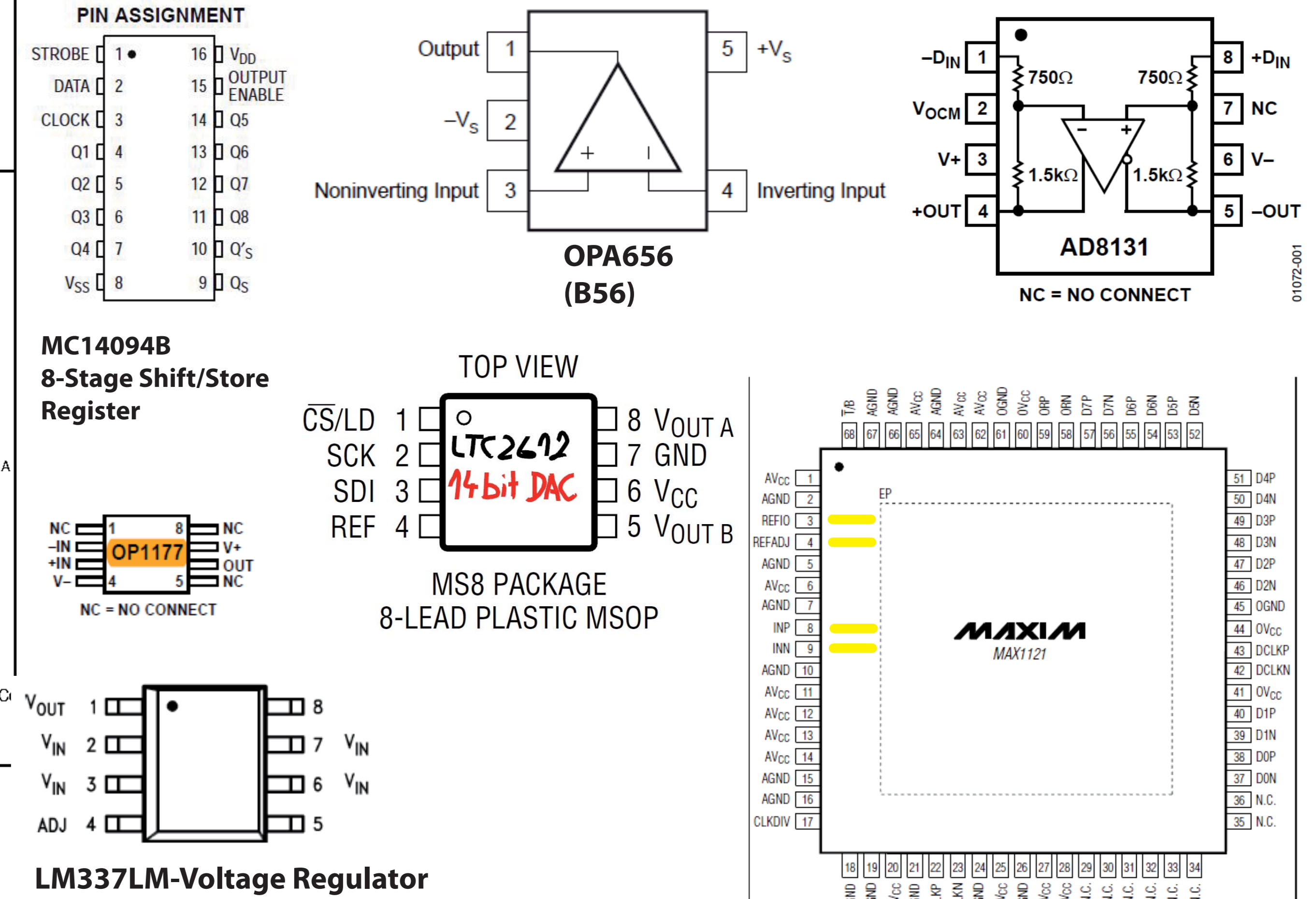
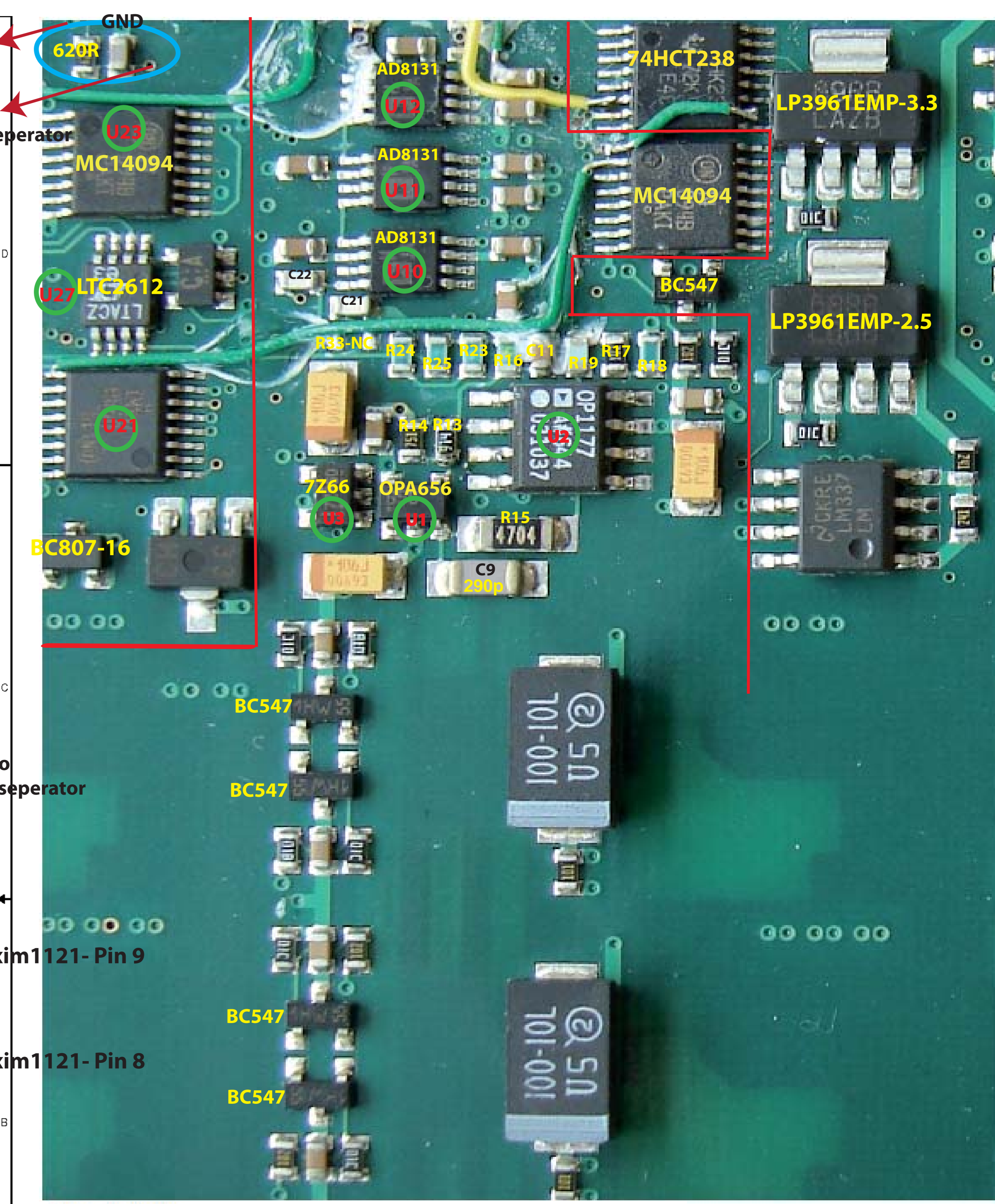


Measuring point nr.: 13

Version: 3.4
Date: 31. Oct. 2009

V3.2: Some Values supplemented- (C9; C10; C11; C12; R13)
Values based on measurement!!!
Connection to video separator added
V3.3: Photo on the right hand side: name of U21 and U23
interchanged
Relays on left photos- new graphical symbol (bistable Relay)
V3.4: 150k termination impedance ADC added

brunove



01272-001